



Emergency pull-wire switch ZS 73 S 2Ö/1S VD

Material number: 1184854 (Material number old: 73930501)

Features/Options:

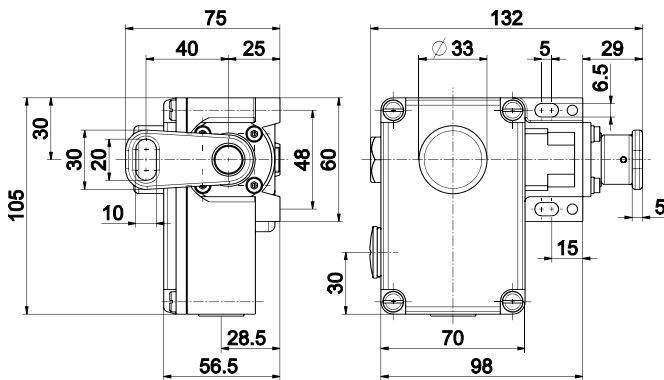
- Metal enclosure
- 3 contacts
- Wire length up to 2 x 100 m

Notes

- At 4 m distance intermediate wire supports are required. Two compensation springs type ZS 73/75 S must be installed, see accessories.

- Release by push-button (VD)
- Wire pull and breakage detection

Dimensions



Technical data

Applied standards	EN 60947-5-1, EN 60947-5-5, EN ISO 13850, EN ISO 13849-1
Enclosure	aluminium die-cast, enamel finish
Cover	thermoplastic, glass-fibre reinforced, impact resistant, self-extinguishing UL 94 V-0
Degree of protection	IP 65 to IEC/EN 60529
B_{10d} (10 % load)	200 000
T_M	max. 20 years
Contact material	silver
Switching elements	2 NC/1 NO contact, type Zb
Switching system	snap action, positive break NC contacts \ominus
Connection	screw connection terminals
Cable cross-section	max. 2.5 mm ² (incl. conductor ferrules)
Cable entry	2 x M20 x 1.5
Rated impulse withstand voltage U_{imp}	1 kV
Rated operating isolation voltage U_i	250 V
Conventional thermal current I_{the}	2 A
Utilisation category	AC-15
Rated operating current/voltage I_e/U_e	2 A/250 VAC
Short-circuit protection	2 A gG/gN fuse
Ambient temperature	-25 °C ... +70 °C
Mechanical life	> 100 000 operations

Errors and omissions excepted.



Emergency pull-wire switch

ZS 73 S 2Ö/1S VD

Material number: 1184854 (Material number old: 73930501)

Technical data

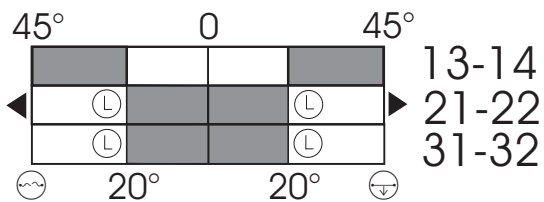
Max. wire length 2 x 100 m

Approvals



Weight 744 g

Switching diagram



Contact diagram

